



SUBJECT:

Required maintenance for the Two Place Forward Passenger Seat (P/N 350-200624).

APPLICABILITY :

These Instructions for Continued Airworthiness are applicable to aircraft with the subject modification embodied.

THE INFORMATION CONTAINED IN THIS DOCUMENT SHALL BE TREATED AS THE PROPERTY OF EUROCOPTER CANADA LIMITED (ECL). THE RECIPIENT OF THIS DOCUMENT SHALL NOT DISCLOSE ANY INFORMATION CONTAINED HEREIN TO THIRD PARTIES WITHOUT THE WRITTEN PERMISSION OF ECL, AND SHALL NOT USE OR REPRODUCE THIS DOCUMENT IN WHOLE OR IN PART FOR ANY PURPOSE OTHER THAN ITS ORIGINALLY INTENDED PURPOSE, OR TO EVALUATE ITS CONTENTS.

| | NAME AND SIGNATURE | DATE | COMPANY DEPARTMENT |
|---|--|----------------------------|-----------------------|
| PREPARED BY: | D. Kerr <i>D. Kerr</i> | 12 Dec., 2013 | ECL ENGINEERING |
| PREPARED BY: | | | |
| CHECKED BY: | C. Timmins <i>C. Timmins</i> | 12 th Dec, 2013 | ECL ENGINEERING |
| CHECKED BY: | M. Merritt <i>M. Merritt</i> | 2013-12-13 | ECL QUALITY ASSURANCE |
| APP'D / ACCEPTED (Civil A/W Authority) | (As per ICA Compliance Check Sheet) <i>C. Timmins</i> | 17 th Dec, 2013 | TCCA |
| RELEASED BY: | P. Sharpe <i>P. Sharpe</i> | 18 Dec 2013 | ECL ENGINEERING |



RECORD OF REVISIONS

| Rev. | Pages at this Revision | Description, Reason Changed Pages | Prepared (name and date) | Checked (name and date) | App'd/Acc'd (Civil A/W Authority) (name and date) | Released (name and date) |
|------|------------------------|--|----------------------------|-------------------------------|---|------------------------------|
| 0 | 1 through 26 | Original Issue | D. Kerr 22 October 2012 | C. Timmins 22 October 2012 | TCCA A. Pompei 28 October 2012 | R. Manson 30 October 2012 |
| 1 | 1 through 26 | Revised the Airworthiness Limitations statement in Section 2. Correction to drawing reference. (Pages 13, 16 & 25) | D. Kerr 1 April 2013 | C. Timmins 1 April 2013 | TCCA G. David 4 April 2013 | P. Sharpe 9 April 2013 |
| 2 | 1 through 26 | Addition of seat belt variant -03. Removed fire extinguisher reference. (Pages 3 to 5, 7, 9, 17 & 22) | See page 1 | See page 1 | See page 1 | See page 1 |
| | | | | | | |
| | | | | | | |
| | | | | | | |
| | | | | | | |
| | | | | | | |
| | | | | | | |
| | | | | | | |
| | | | | | | |
| | | | | | | |
| | | | | | | |
| | | | | | | |
| | | | | | | |
| | | | | | | |
| | | | | | | |
| | | | | | | |

NOTE: Revisions to this document will be distributed to operators of this equipment by the STC holder.
 NOTE: Revised portions of affected pages are identified by a vertical black line in the margin adjacent to the change.

Transport Canada Accepted



CONTENTS

| SECTION | TITLE | PAGE |
|---------|--|------|
| 1 | GENERAL | 4 |
| 2 | AIRWORTHINESS LIMITATIONS | 16 |
| 3 | CONTROL AND OPERATION | 17 |
| 4 | INSPECTION SCHEDULE AND MAINTENANCE ACTION | 17 |
| 5 | REPLACEMENT COMPONENTS AND REPAIR / OVERHAUL INFORMATION | 18 |
| 6 | TROUBLESHOOTING | 19 |
| 7 | SPECIAL TOOLING | 20 |
| 8 | REMOVAL AND REPLACEMENT | 20 |
| 9 | WEIGHT AND BALANCE | 24 |
| 10 | PLACARDS AND MARKINGS | 25 |

FIGURES

| FIGURE | TITLE | PAGE |
|--------|---|------|
| 1 | General Layout | 5 |
| 2 | Two Place Forward Passenger Seat - 01 Variant | 6 |
| 3 | Two Place Forward Passenger Seat - 02 & - 03 Variant | 7 |
| 4 | Seat Belt Attachment | 8 |
| 5 | Seat Attachment Locations | 9 |
| 6 | Seat Rail Installation | 10 |
| 7 | Cabin Floor Modifications | 11 |
| 8 | Cabin Floor Modifications Continued | 12 |
| 9 | Utility Power Plug Relocation | 13 |
| 10 | Data Plate relocation | 14 |
| 11 | Wiring Diagram, Utility Power Plug Relocation | 19 |
| 12 | Identification label location in nosebay (POST AMS 07-3273 & POST AMS 07-4280) | 25 |
| 13 | Typical placard located on Instrument Panel | 26 |

TABLES

| TABLE | TITLE | PAGE |
|-------|---|------|
| 1 | Inspection Schedule and Maintenance Action Every 150 FH or 12 M (Margins: 15 FH or 36 D) | 17 |

Transport Canada Accepted



1. GENERAL

- A. The Two Place Forward Passenger Seat is a composite-structure double seat that is secured to fixed seat rails on the cabin floor. When the two-place seat is mounted in lieu of the right hand pilot's seat the aircraft can carry seven persons. To provide additional leg room for the center passenger, the complete center console structure is removed as part of the Left-Side Pilot Configuration. Refer to Figure 1 for General Layout.

A prerequisite to this installation is the Left Side Pilot Configuration which must be installed in accordance with TCCA (Transport Canada Civil Aviation) STC (Supplemental Type Certificate) SH96-32.

The utility power plug is relocated from the back face of the control quadrant to the left side of the center console. The data plate is relocated from the right hand cabin floor to the right side of the fuselage near the maintenance step.

The Two Place Forward Passenger Seat is available in the following variants:

| Installation Drawing number | Variant | Description |
|-----------------------------|---|---|
| 350-200704-01 | - 01 variant (350-200704-01) Refer to Figure 2 | - 3 pt. seat belts |
| 350-200704-02 | - 02 variant (350-200704-02) Refer to Figure 3 | - 4 pt. seat belts - without adjusters |
| 350-200704-03 | - 03 variant (350-200704-03) Refer to Figure 3 | - 4 pt. seat belts - with adjusters |

The Two Place Forward Passenger Seat consists of the following main components:

Detachable Provisions

- Double Seat Assembly

Fixed Provisions

- Seat Rails
- Intercostal
- Clips

The Two Place Forward Passenger Seat is installed in accordance with STC SH96-39.

- B. These Instructions for Continued Airworthiness are applicable to aircraft with the subject modification embodied.

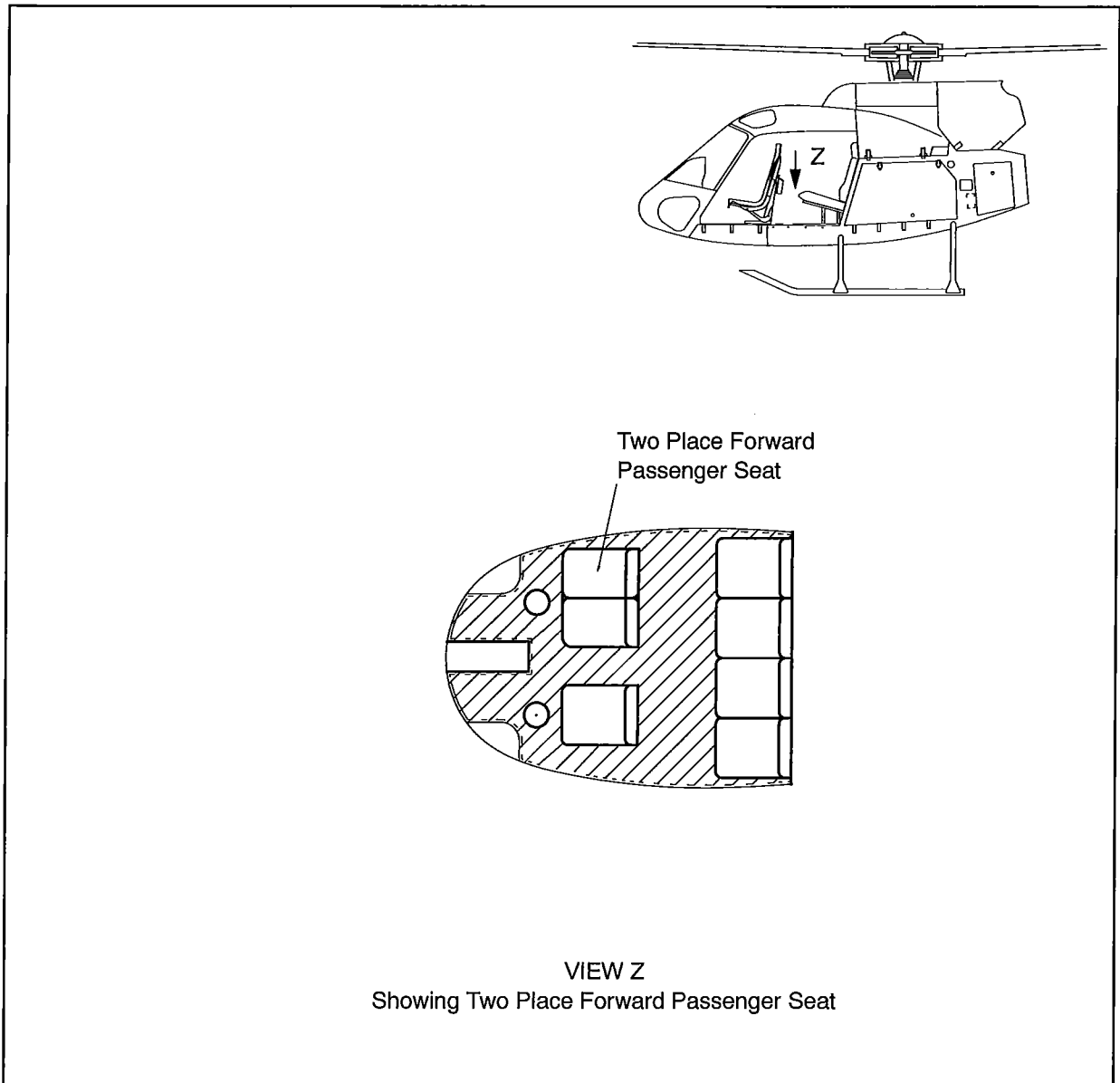


Figure 1 General Layout

Transport Canada Accepted

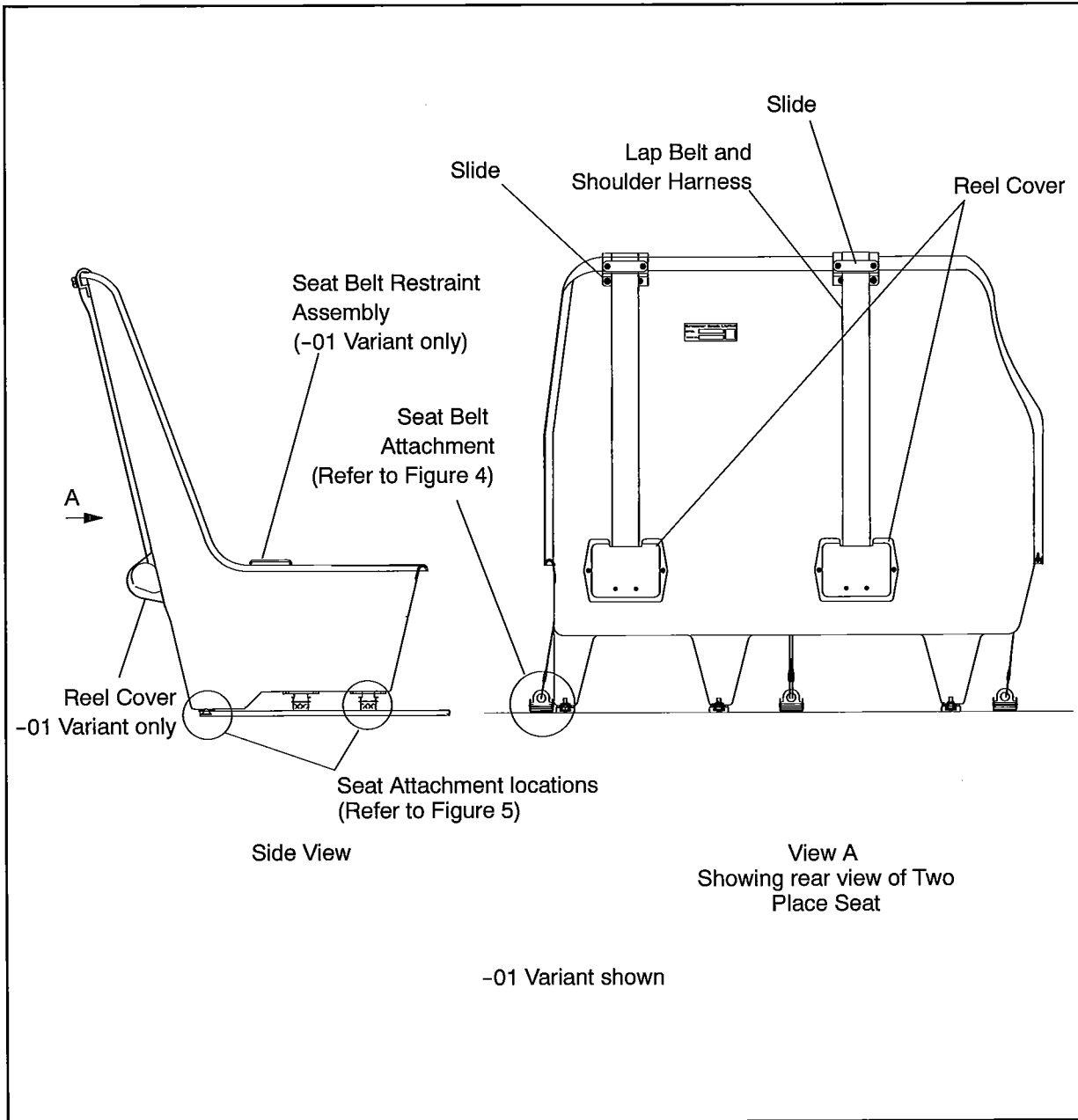


Figure 2 Two Place Forward Passenger Seat - 01 Variant

Transport Canada Accepted

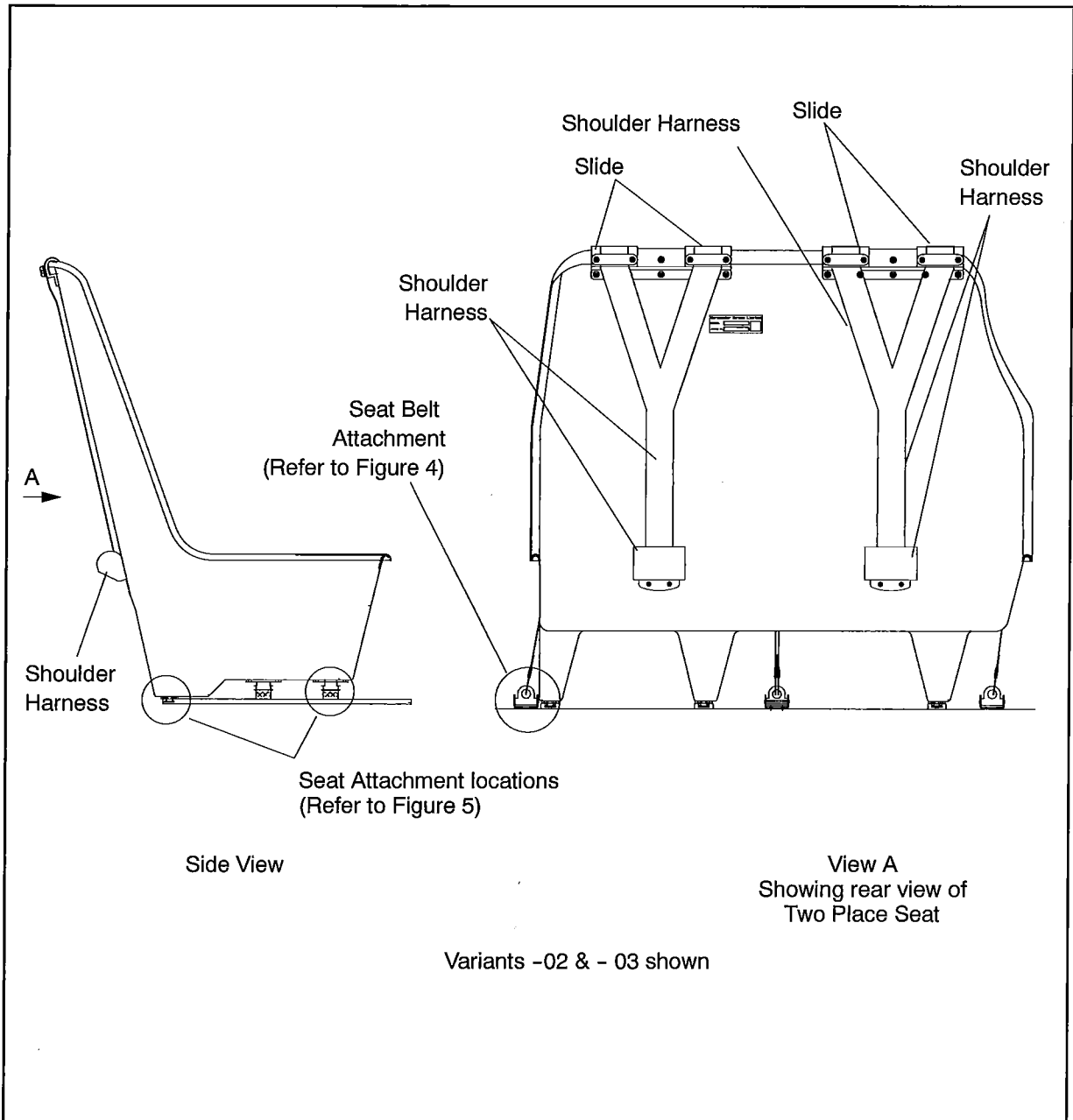


Figure 3 Two Place Forward Passenger Seat - 02 & - 03 Variants

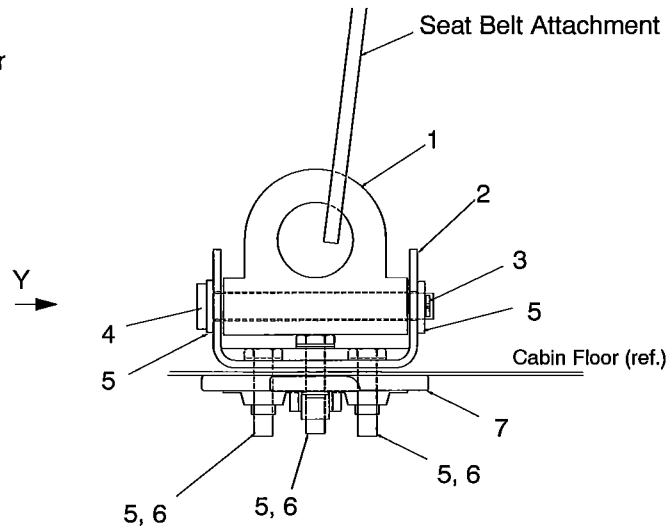
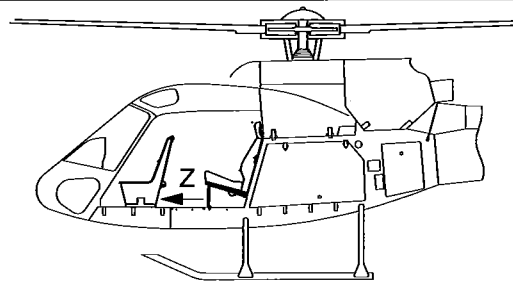
Transport Canada Accepted



Legend (for Figure 4)

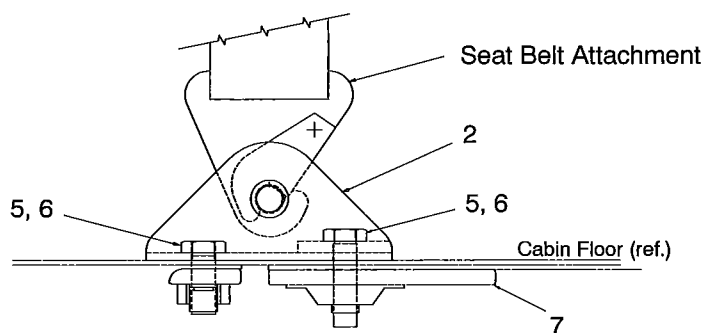
Item Description

1. Ring
2. Seat Belt Assembly Bracket
3. Cotter Pin
4. Pin
5. Washer
6. Screw
7. Profile Washer



VIEW Z

Looking forward at Seat Belt Attachment



VIEW Y

Looking inboard at Seat Belt Attachment

Figure 4 Seat Belt Attachment

Transport Canada Accepted

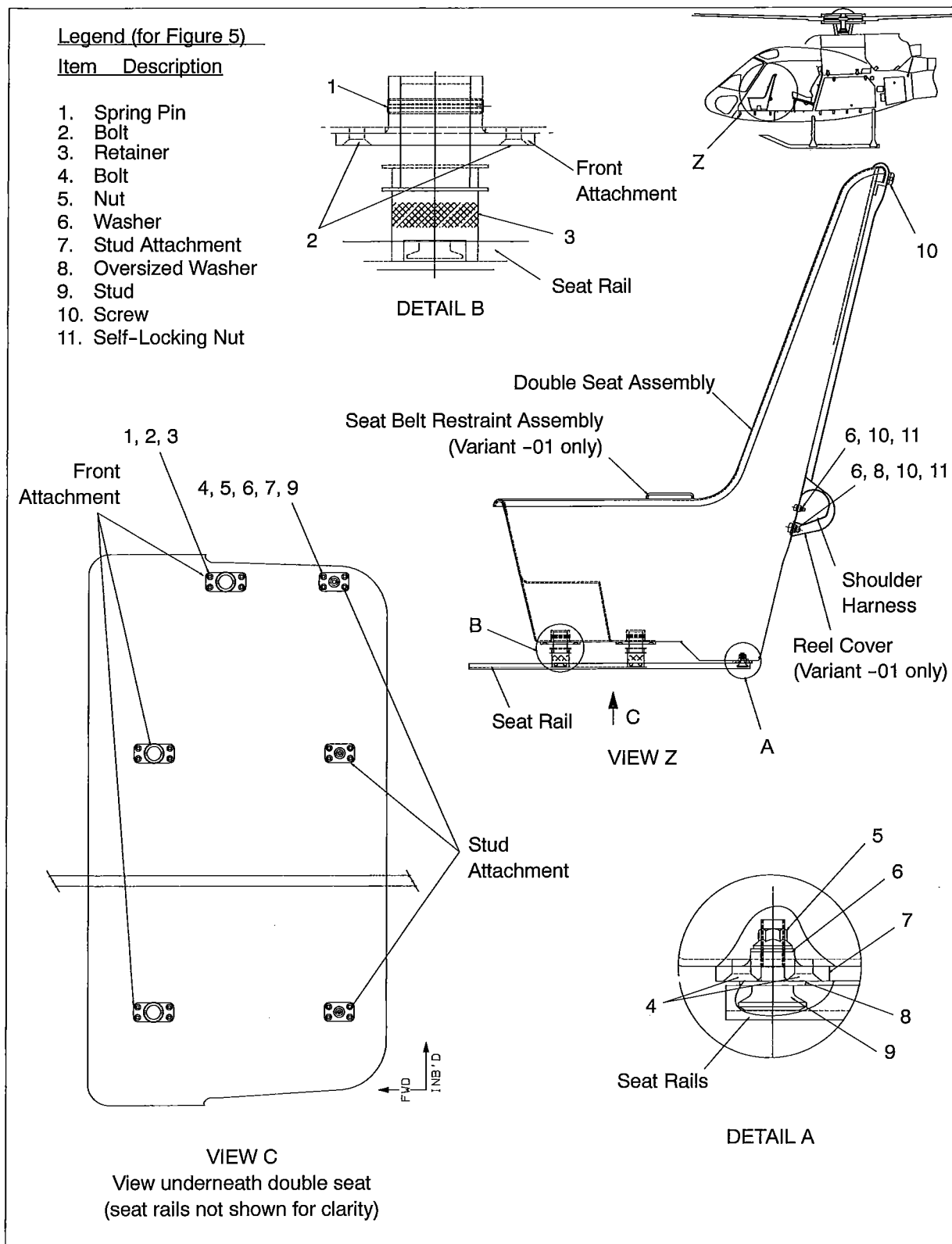


Figure 5 Seat Attachment Locations

Transport Canada Accepted

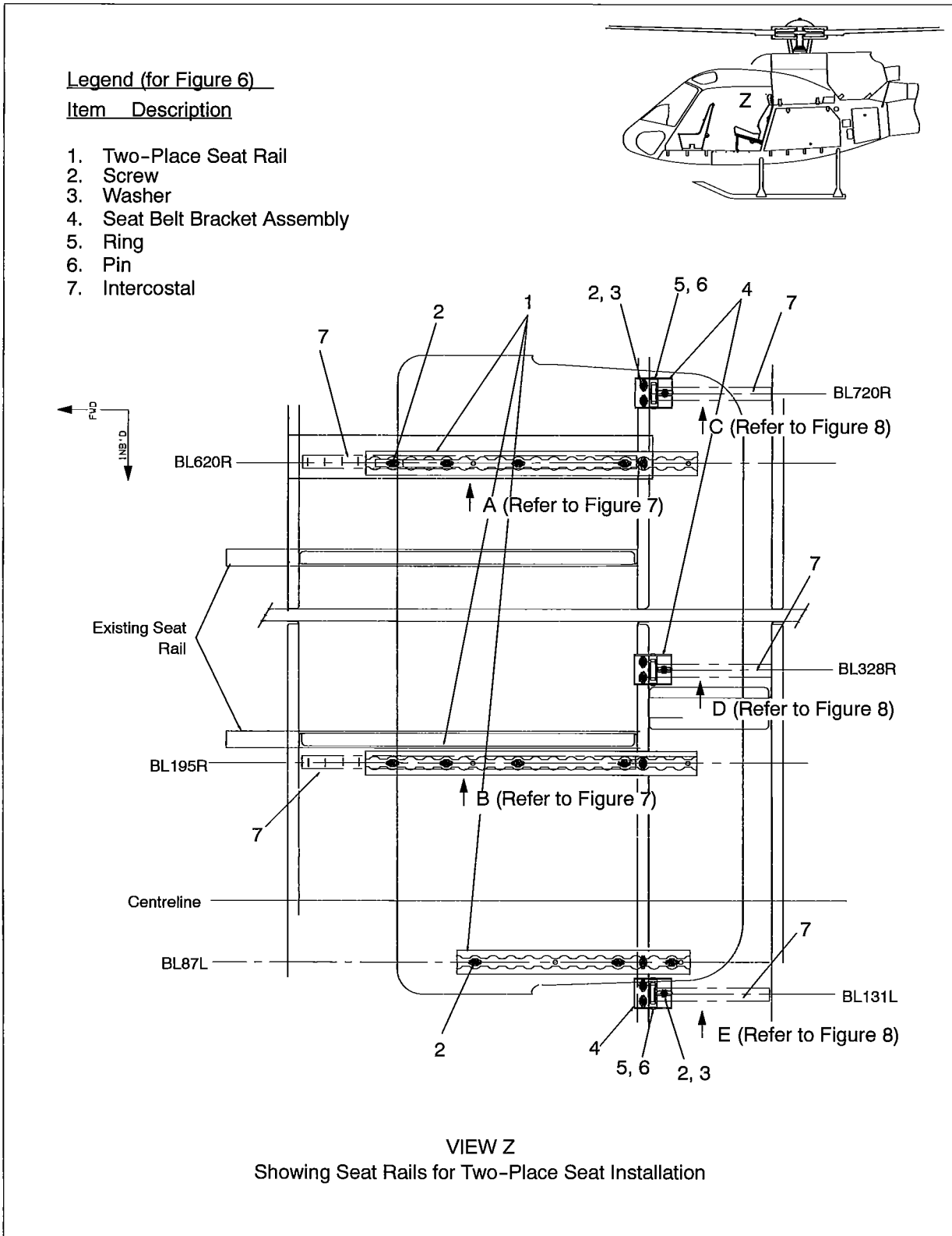


Figure 6 Seat Rail Installation

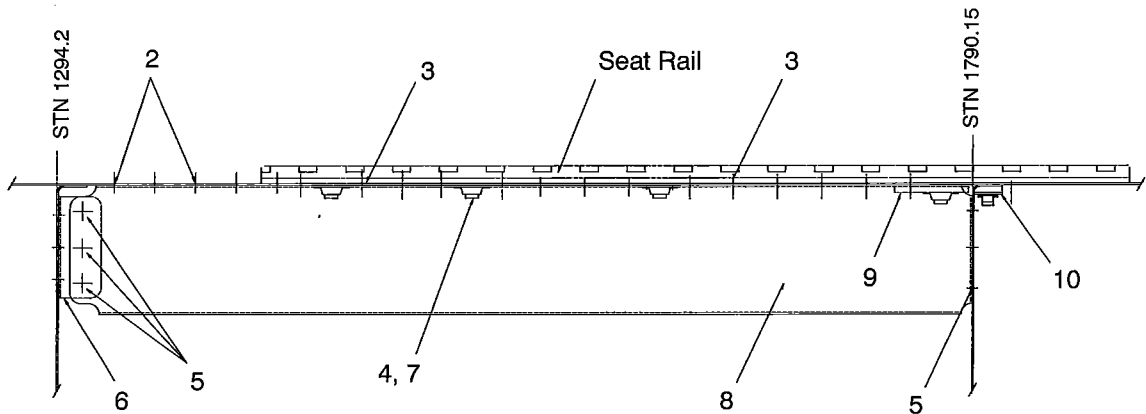
Transport Canada Accepted



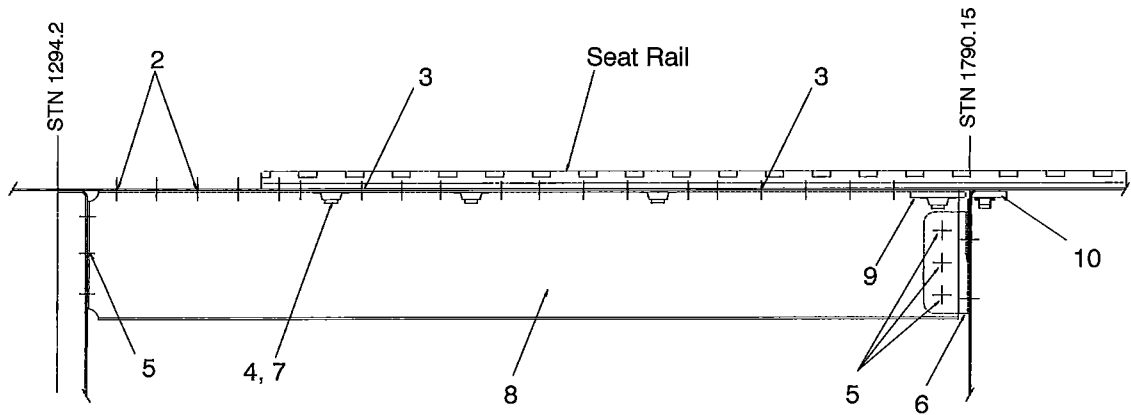
Legend (for Figure 7)

Item Description

- | | |
|------------------------------|-----------------------------|
| 1. Two-Place Seat Rail | 7. Anchor Nuts |
| 2. Rivets (P/N MS20470AD4-4) | 8. Intercostal |
| 3. Rivets (P/N MS20426AD4-4) | 9. Profile Washer |
| 4. Rivets (P/N CCR2634553-3) | 10. Attachment Plate (ref.) |
| 5. Rivets (P/N MS20470AD5-5) | |
| 6. Clip | |



VIEW A
Showing the Cabin Floor Modifications



VIEW B
Showing the Cabin Floor Modifications

Figure 7 Cabin Floor Modifications

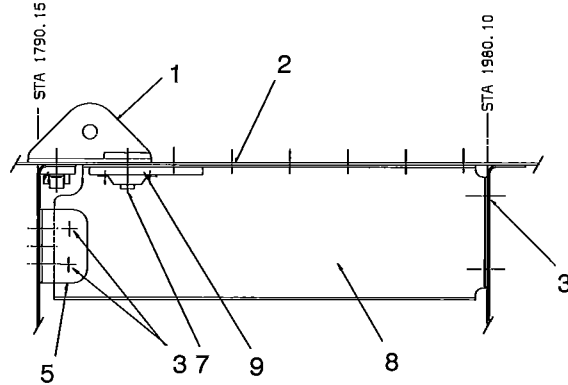
Transport Canada Accepted



Legend (for Figure 8)

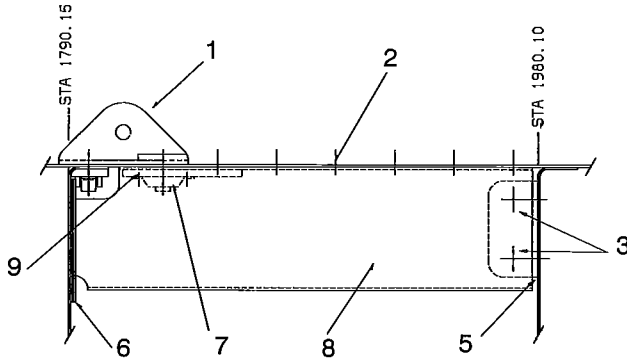
Item Description

1. Seat Belt Bracket
2. Rivets (P/N MS20470AD4-4)
3. Rivets (P/N MS20470AD5-5)
4. Rivets (P/N MS20470AD5-8)
5. Clip
6. Patch Plate (ref.)
7. Anchor Nuts
8. Intercostal
9. Profile Washer



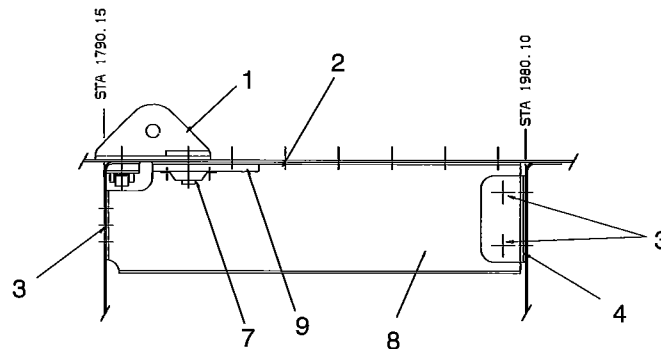
VIEW C

Showing the Cabin Floor Modifications



VIEW D

Showing the Cabin Floor Modifications



VIEW E

Showing the Cabin Floor Modifications

Figure 8 Cabin Floor Modifications Continued

Transport Canada Accepted

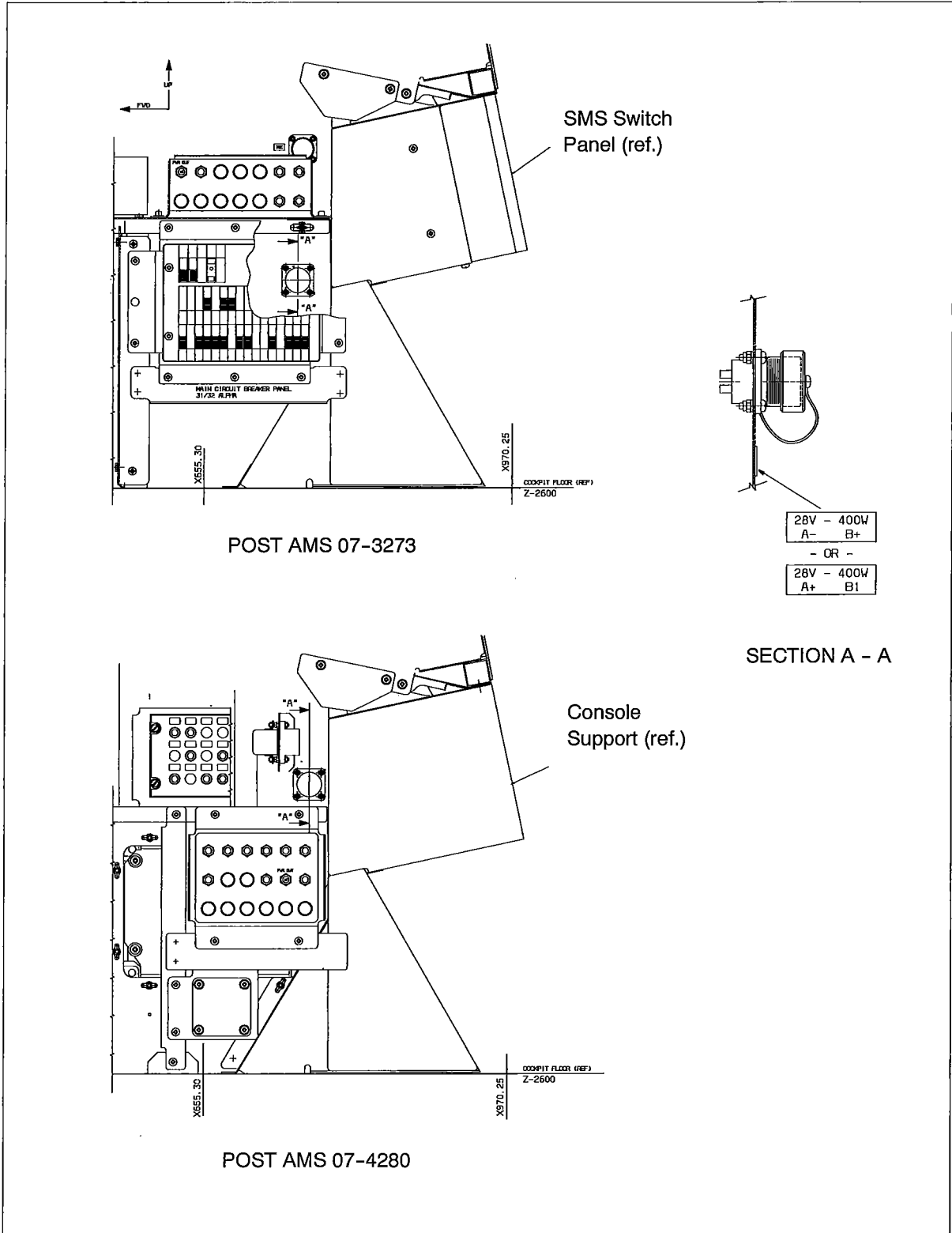


Figure 9 Utility Power Plug Relocation

Transport Canada Accepted

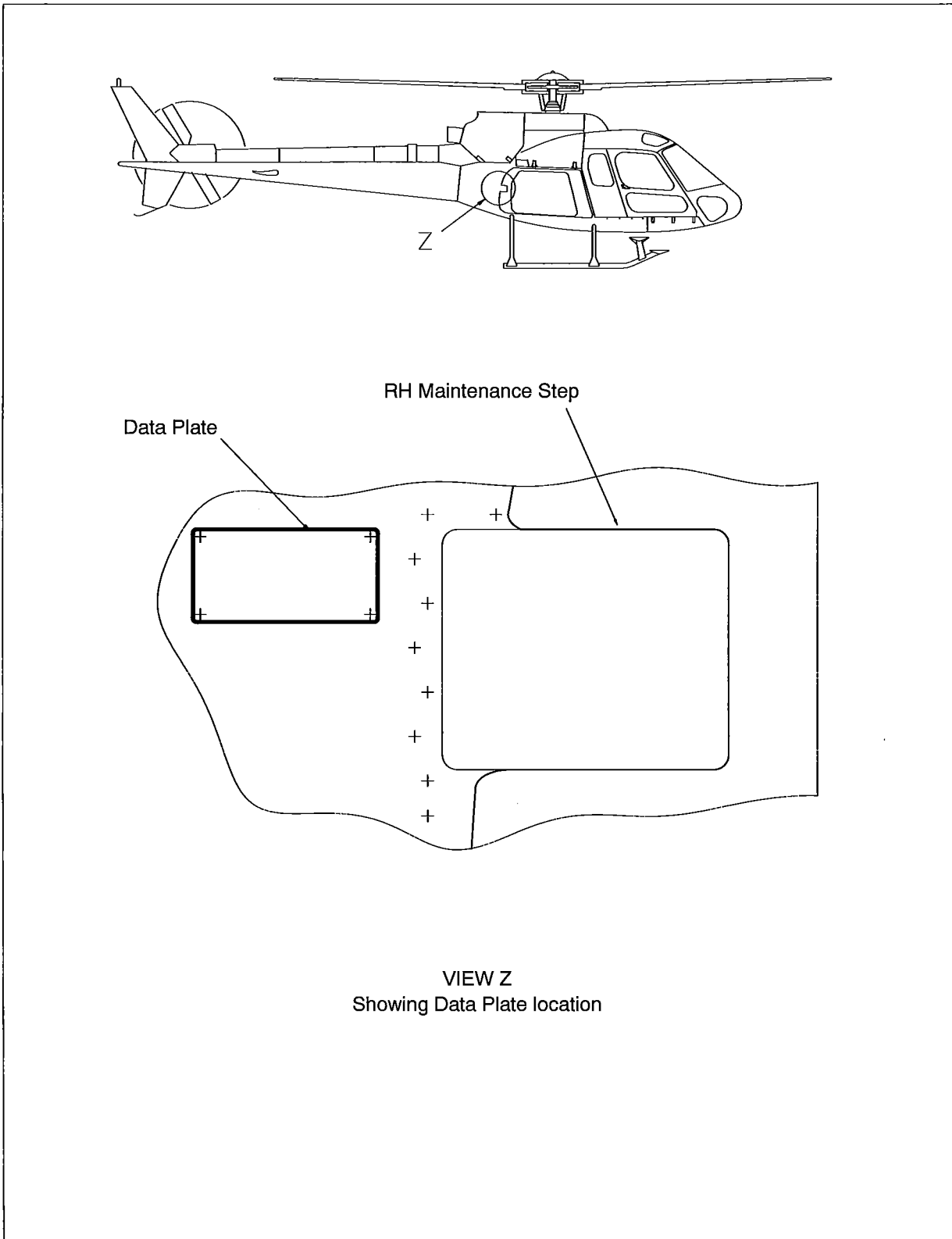


Figure 10 Data Plate relocation

Transport Canada Accepted



C. REFERENCES

| DOCUMENT | DOCUMENT TITLE |
|-------------|--|
| AMM | Aircraft Maintenance Manual |
| AMS 07 3274 | Avis de Modification Serie 07 3274 |
| ICA | Instructions for Continued Airworthiness |
| MET | Maintenance Manual |
| MTC | Standard Practices Manual |

D. ABBREVIATIONS AND DEFINITIONS

| ABBREVIATION | DEFINITION |
|--------------|---------------------------------|
| assy | assembly |
| BL | Butt Line |
| D | Days |
| EC | Eurocopter (France) |
| ECL | Eurocopter Canada Limited |
| FH | Flight Hours |
| hrs | hours |
| iaw | in accordance with |
| L | Left |
| M | Months |
| MDL | Master Drawing List |
| P/N | Part Number |
| Pt. | part |
| ref. | reference |
| R | Right |
| STC | Supplemental Type Certificate |
| STN | Station |
| TCCA | Transport Canada Civil Aviation |

E. UNITS OF MEASUREMENT

| ABBREVIATION / SYMBOL | UNIT OF MEASUREMENT |
|-----------------------|------------------------|
| in | inch |
| kg | kilogram |
| kg/m ² | kilogram/meter squared |
| lbs | pounds |
| m | meter |
| m kg | meter kilogram |

Transport Canada Accepted



EUROCOPTER
CANADA
AN EADS COMPANY

**INSTRUCTIONS FOR CONTINUED
AIRWORTHINESS
TWO PLACE FORWARD PASSENGER SEAT
AS 350 BA, B2, B3**

2. AIRWORTHINESS LIMITATIONS

The Airworthiness Limitations section is approved by the Minister and specifies maintenance required by any applicable airworthiness or operating rule unless an alternative program has been approved by the Minister. Variations must also be approved.

The Airworthiness Limitations section is FAA approved and specifies inspections and other maintenance required under Sections 43.16 and 91.403 of the Federal Aviation Regulations unless an alternative program has been FAA approved.

There is a 10 year life limitation from the date of manufacture on each of the Seat Belt Assemblies.

Transport Canada Accepted



3. CONTROL AND OPERATION

Control and operation of the aircraft remains unchanged.

NOTE: The Installation of Dual Controls is prohibited.

4. INSPECTION SCHEDULE AND MAINTENANCE ACTION

NOTE: Use torque per MTC, Volume 2, Chapter 20.02.05.404, unless otherwise specified.

4.1. INSPECTION SCHEDULE

4.1.1. Every 150 FH or 12 M (Margin: 15 FH or 36 D) to coincide with the 150 FH or 12 M helicopter inspection, whichever occurs first:

| ITEM | INSPECTION OR MAINTENANCE WORK | CORRECTIVE ACTION |
|------|--|---|
| A | <ul style="list-style-type: none"> - Visually inspect Seat Belt Assembly, in Figure 1, for: <ul style="list-style-type: none"> a. excessive wear (visible fading, fraying, cuts, etc.) b. legibility of seat belt identification label c. check label for 10 year life limit requirements d. Check inertia reels for correct operation (proper locking when pulled abruptly) | <ul style="list-style-type: none"> a. Excessive wear is not permitted. If excessive wear is evident, contact Eurocopter Canada Limited for replacement parts. b. If no longer legible, contact Eurocopter Canada Limited. c. Replace belt if 10 year life limit is met. d. If not operating correctly, contact Eurocopter Canada Limited for corrective action. |
| B | <ul style="list-style-type: none"> - Visually inspect all mounting hardware in Figure 2, for: <ul style="list-style-type: none"> a. security | <ul style="list-style-type: none"> a. Re-tighten as required |
| C | <ul style="list-style-type: none"> - Visually inspect seat rail, item 1, shown in Figure 6, for: <ul style="list-style-type: none"> a. damage at seat attachment locations | <ul style="list-style-type: none"> a. If damage is detected replace damaged rail. |
| D | <ul style="list-style-type: none"> - Visually inspect Two Place Forward Passenger Seat, in Figure 5, for: <ul style="list-style-type: none"> a. general condition | <ul style="list-style-type: none"> a. If cracking, delamination or debonding is found, contact Eurocopter for corrective action. |
| E | <ul style="list-style-type: none"> - Visually inspect intercostals under cabin floor as shown in Figures 7 & 8, for: <ul style="list-style-type: none"> a. cracks or corrosion | <ul style="list-style-type: none"> a. No cracks or corrosion are allowed. If cracks or corrosion are found, contact ECL for replacement parts. Refer to Section 8 for removal and replacement of intercostals. |

Table 1 Inspection Schedule and Maintenance Action
Every 150 FH or 12 M to coincide with the 150 FH or 12 M helicopter inspection, whichever occurs first

Transport Canada Accepted



4. INSPECTION SCHEDULE AND MAINTENANCE ACTION (continued)

4.1. INSPECTION SCHEDULE

4.1.1. Every 150 FH or 12 M (Margin: 15 FH or 36 D) to coincide with the 150 FH or 12 M helicopter inspection, whichever occurs first:

| ITEM | INSPECTION OR MAINTENANCE WORK | CORRECTIVE ACTION |
|------|---|--|
| F | <ul style="list-style-type: none"> - Check placards and markings (refer to Section 10) for: <ul style="list-style-type: none"> a. legibility b. secure mounting | <ul style="list-style-type: none"> a. If placard has become illegible, contact Eurocopter Canada Limited for replacement part. b. Secure, reattach placards as required. |

Table 1 Inspection Schedule and Maintenance Action
Every 150 FH or 12 M to coincide with the 150 FH or 12 M helicopter inspection, whichever occurs first

5. REPLACEMENT COMPONENTS AND REPAIR / OVERHAUL INFORMATION

No replacement components and repair / overhaul information required for this installation.

Transport Canada Accepted



6. TROUBLESHOOTING

For electrical system troubleshooting the Utility Power Plug Relocation, refer to Figure 11, Wiring Diagram.

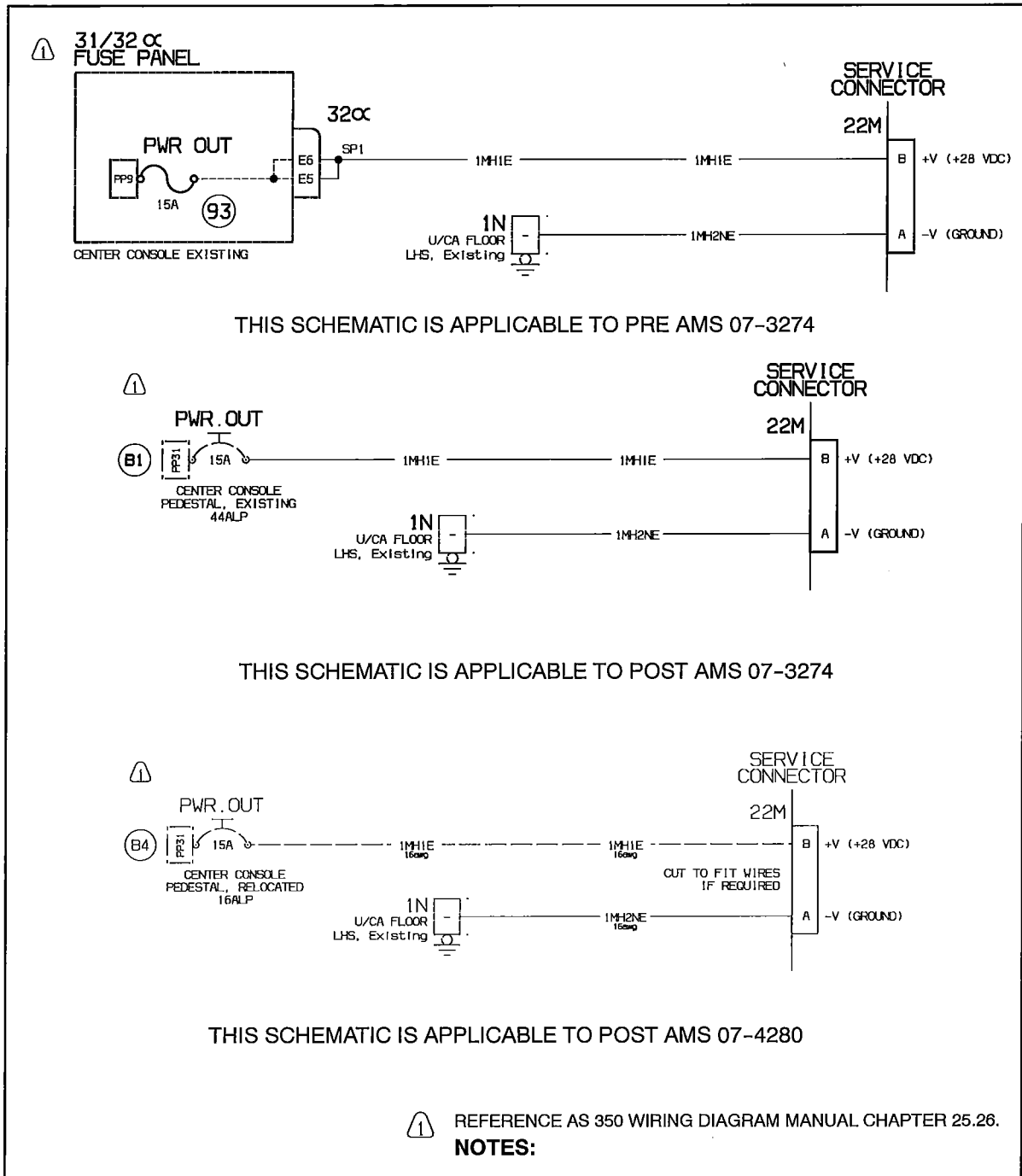


Figure 11 Wiring Diagram, Utility Power Plug Relocation

Transport Canada Accepted



7. SPECIAL TOOLING

No special test equipment or tools are required. Standard tools are adequate.

8. REMOVAL AND REPLACEMENT

PRELIMINARIES - if removing/replacing the Floor Mat

A. For aircraft AS 350 B2 and B3:

- Read General Safety Instructions - Electrical Power Supply System (refer to AS 350 B2/B3 AMM, Chapter 24-00-00, 3-1)
- Read Electrical Power Supply on the Ground (refer to AS 350 B2/B3 AMM, Chapter 24-00-00, 2-1)
- disconnect the external power unit and battery (refer to Removal/Installation, AS 350 B2/B3 AMM, Chapter 24-33-00, 4-1)
- Read and comply with general safety instructions for the mechanical assemblies, AMM, Chapter 60-00-00, 3-1

B. For aircraft AS 350 (excluding AS 350 B2 & B3)

- Read the General Electrical Instructions (refer to AS 350 MET, Chapter 24.00.00.301)
- set the "D.BAT" push button to "OFF"
- set the "EXT PWR BAT" pushbutton to "OFF" (refer to Electrical Power, General Instructions, AS 350 MET, Chapter 24.00.00.301)
- disconnect the external power unit and battery (refer to Removal/ Installation AS 350 MET, Chapter 24.30.00.401)
- Read Rotors - General Instructions, MET, Chapter 60.00.00.301

C if replacing an intercostal, remove intermediate fairings and pull floor covering back

Transport Canada Accepted



8. REMOVAL AND REPLACEMENT (continued)

General Repair Instructions Unriveting principal, refer to MTC, Chapter 20-03-01,102.

A. REMOVAL

- 1) TWO PLACE FORWARD PASSENGER SEAT (Refer to Figure 2)
 - a) Disengage spring pins (1, 3 places) from front attachment under seat.
 - b) Disconnect lap belts from cabin floor.
 - b) Slide seat to free studs (9, 3 places) from track and remove double seat assembly.
- 2) SEAT RAILS (Long Rails) (Refer to Figure 6)
 - a) Remove screws (2, 5 places) securing the seat rail to the cabin floor. Retain hardware for reinstallation.
- 3) INTERCOSTAL (located under long seat rail) (Refer to Figures 6 and 7)
 - a) Remove seat rail.
 - b) Remove existing rivets securing intercostal (8) to the cabin floor, aircraft frame and clip (6).
- 4) SEAT RAIL (Short Rail) (Refer to Figure 6)
 - a) Remove screws (2, 4 places) securing the shorter seat rail to the cabin floor. Retain hardware for reinstallation.
- 5) SEAT BELT BRACKET ASSEMBLY (Refer to Figure 4)
 - a) Remove seat belt attachment from ring (1, 3 places).
 - b) Remove screws (6, 3 places), washers (5, 3 places) and profile washer (7) securing the seat belt assembly bracket (2) to the cabin floor. Retain hardware for reinstallation.
- 6) INTERCOSTAL (under seat belt bracket assembly) (Refer to Figure 8)
 - a) Remove seat belt bracket assembly.
 - b) Remove existing rivets securing intercostal (8) to cabin floor, aircraft frame and clip (5).

Transport Canada Accepted



8. REMOVAL AND REPLACEMENT (continued)

B. REPLACEMENT

Replacement of rivets: General, refer to MTC, Chapter 20-03-02, 101.

NOTE: Use torque per MTC, Volume 2, Chapter 20.02.05.404, unless otherwise specified.

- 1) INTERCOSTAL (located under long seat rail) (Refer to Figures 6 and 7)
 - a) Mark center line on upper lip of intercostal (8). Mark center line through previously drilled holes in cabin floor.
 - b) Position intercostal (8) below cabin floor and mark two outer pilot holes through cabin floor onto lip of intercostal.
 - c) Remove intercostal and drill pilot holes.
 - d) Reinstall intercostal into position and secure to cabin floor using cleco pins.
 - e) Match drill remaining holes from cabin floor into intercostal.
 - f) Match drill holes from clip (6) into intercostal. Remove intercostal from aircraft and place on work bench.
 - g) Match drill holes for 4 anchor nut locations into intercostal.
 - h) Position profile washer (9) and match drill holes from intercostal for anchor nut (7). Secure profile washer (9) and anchor nut (7) to underside of intercostal using rivets (4).
 - i) Install remaining anchor nuts (7, 4 places) using rivets (4, 8 places) to underside of intercostal upper lip.
 - j) Reposition intercostal in aircraft under cabin floor and secure using rivets (2, 4 places), rivets (3, 15 places) and rivets (5, 6 places).
- 2) SEAT RAILS (Long Rails) (Refer to Figure 6)
 - a) Reposition seat rail on cabin floor and secure using screws (2, 5 places)
- 3) SEAT RAILS (Short Rails) (Refer to Figure 6)
 - a) Reposition seat rail on cabin floor and secure using screws (2, 4 places)
- 4) SEAT BELT BRACKET ASSEMBLY (Refer to Figure 4)
 - a) Reposition seat belt assembly bracket (2) and secure using screws (6, 3 places), washers (5, 3 places) and profile washer (7)
 - b) Reattach seat belt to attachment ring (1, 3 places).

Transport Canada Accepted



8. REMOVAL AND REPLACEMENT (continued)

B. REPLACEMENT (continued)

5) INTERCOSTAL (under seat belt bracket assembly) (Refer to Figure 8)

- a) Mark center line on upper lip of intercostal (8). Mark center line through previously drilled holes in cabin floor.
- b) Position intercostal (8) below cabin floor and mark two outer pilot holes through cabin floor onto lip of intercostal.
- c) Remove intercostal and drill pilot holes.
- d) Reinstall intercostal into position and secure to cabin floor using cleco pins.
- e) Match drill remaining holes from cabin floor into intercostal.
- f) Match drill holes from clip (5) into intercostal. Remove intercostal and deburr holes.
- g) Reposition intercostal in aircraft under cabin floor, reposition profile washer (9) and secure to cabin floor using rivets (2, 6 places), to clip (5) and aircraft frame using rivets (3, 5 places).

6) TWO PLACE FORWARD PASSENGER SEAT (Refer to Figure 2)

- a) Reposition floor covering.
 - b) Carefully align double seat assembly studs (9, 3 places) and front attachment into track.
 - c) Secure double seat assembly to front attachment by engaging spring pins (1, 3 places).
 - d) Reconnect lap belts to cabin floor.
- 7) Close all areas opened for service in the PRELIMINARIES paragraph of this section.
- 8) Reinstall intermediate fairing.

For aircraft AS 350 B2 and B3:

- 1) Before energizing the aircraft power supply system, read to General Safety Instruction - Electrical Power Supply System, AS 350 B2/B3, AMM, Chapter 24-00-00, 3-1).
- 2) Reconnect the external power unit and battery Refer to Removal/Installation AS 350 B2/B3 AMM, Chapter 24-33-00, 4-1.
- 2) Perform functional test - DC Power Supply System in accordance with AS 350 B2/B3 AMM, Chapter 24-30-00-5-1.

For aircraft AS 350 (excluding AS 350 B2 and B3)

- 1) Apply external power unit and battery. Refer to AS 350 MET, Chapter 24.30.00.501.
- 2) Perform functional test in accordance with AS 350 MET, Chapter 24.30.00.501.

Transport Canada Accepted



9. WEIGHT AND BALANCE DATA

A. Removed Items

| DESCRIPTION | WEIGHT | | ARM | | MOMENT | |
|-------------|--------|-------|------|------|--------|---------|
| | kg | lbs | m | in | m.kg | in.lb |
| Fwd Seat | -12.25 | -27.0 | 1.57 | 61.8 | -19.23 | -1668.6 |
| Total | -12.25 | -27.0 | 1.57 | 61.8 | -19.23 | -1668.6 |

B. Added Items

| DESCRIPTION | WEIGHT | | ARM | | MOMENT | |
|----------------------------|--------|------|------|------|--------|--------|
| | kg | lbs | m | in | m.kg | in.lb |
| Cabin Floor MOD | 0.79 | 1.7 | 1.65 | 65.0 | 1.30 | 110.5 |
| Double Seat Complete | 14.06 | 31.0 | 1.70 | 66.9 | 23.90 | 2073.9 |
| Seat Belt Bracket Assembly | 0.15 | 0.3 | 1.82 | 71.7 | 0.27 | 21.5 |
| Long Seat Rails (qty. 2) | 0.52 | 1.1 | 1.65 | 65.0 | 0.86 | 71.5 |
| Short Seat Rail (qty. 1) | 0.20 | 0.4 | 1.70 | 66.9 | 0.34 | 26.8 |
| Hardware | 0.25 | 0.6 | 1.65 | 65.0 | 0.41 | 39.0 |
| Total | 15.97 | 35.1 | 1.70 | 66.8 | 27.09 | 2343.2 |

Transport Canada Accepted



10. PLACARDS AND MARKINGS

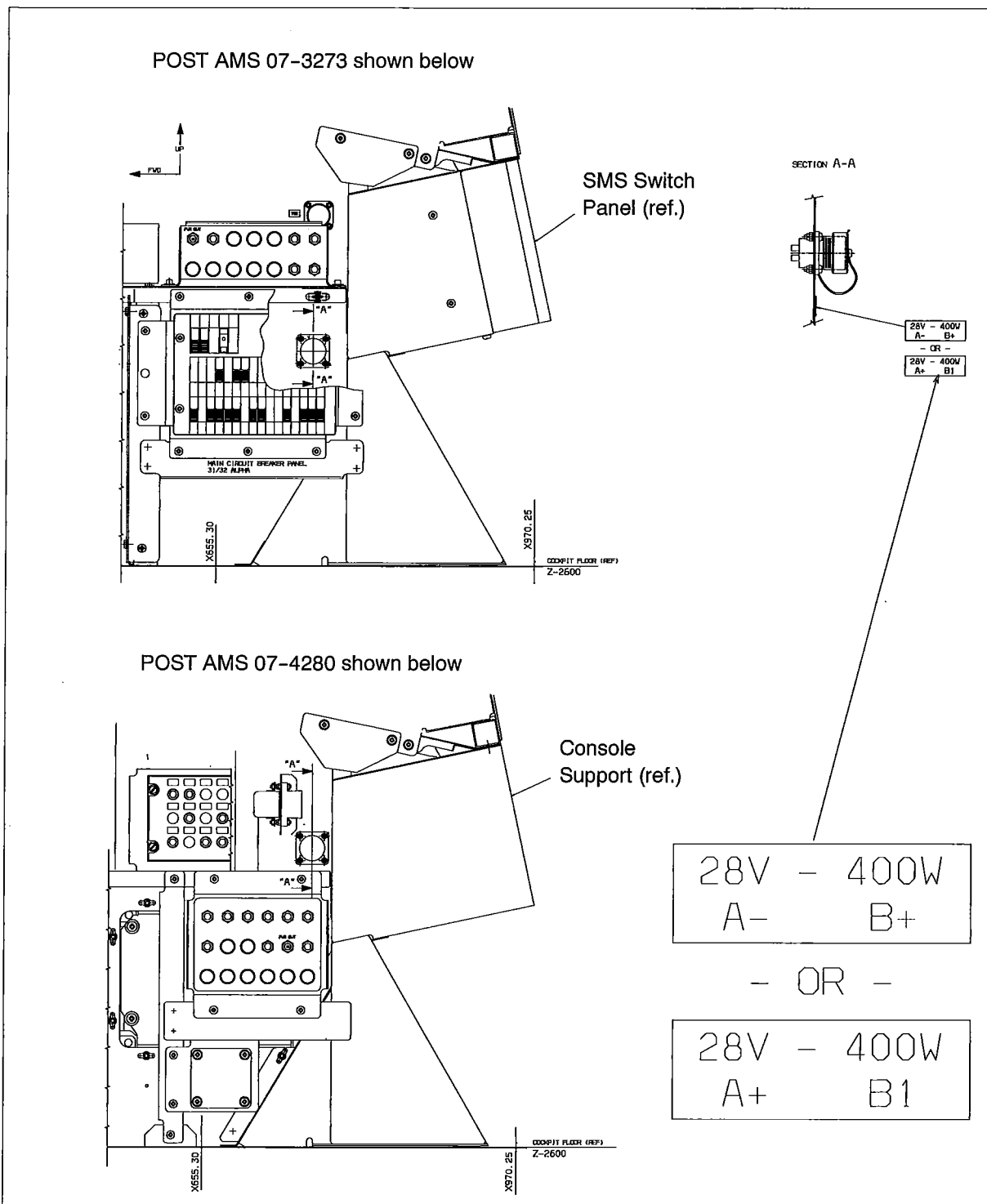


Figure 12 Identification label location in nosebay (POST AMS 07-3273 & POST AMS 07-4280)

Transport Canada Accepted



10. **PLACARDS AND MARKINGS** (continued)

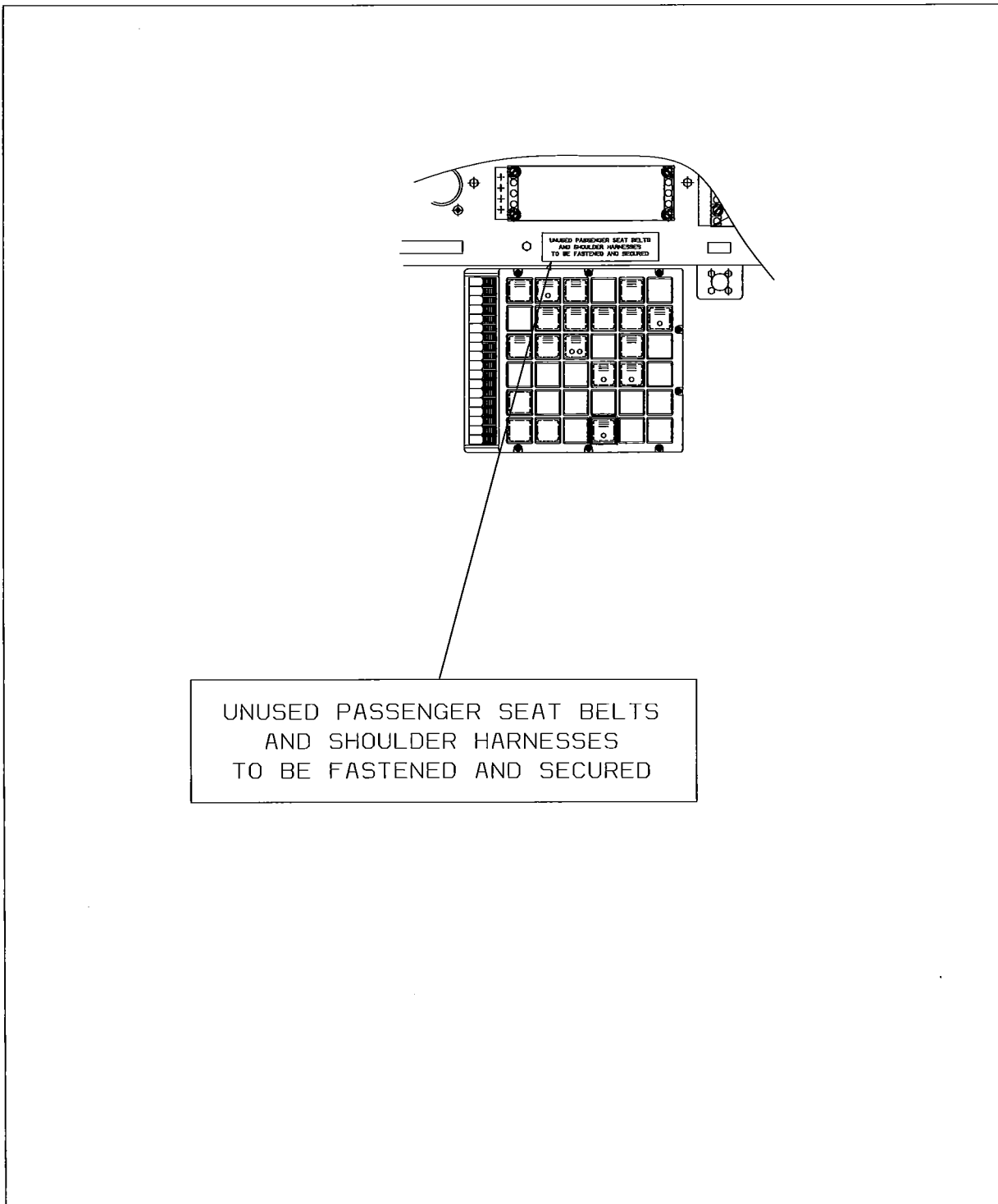


Figure 13 Typical location of placard on Instrument Panel

Transport Canada Accepted