

AIRBUS HELICOPTERS CANADA LIMITED

SUBJECT:

Required maintenance for Standard Interior Modification, Floor Covering (P/N 350-701814).

APPLICABILITY :

 Aircraft with the subject modification embodied in accordance with TCCA STC
 No. SH12-28 or any relevant foreign approvals.

THE INFORMATION CONTAINED IN THIS DOCUMENT SHALL BE TREATED AS THE PROPERTY OF AIRBUS HELICOPTERS CANADA LIMITED (AHCA). THE RECIPIENT OF THIS DOCUMENT SHALL NOT DISCLOSE ANY INFORMATION CONTAINED HEREIN TO THIRD PARTIES WITHOUT THE WRITTEN PERMISSION OF AHCA, AND SHALL NOT USE OR REPRODUCE THIS DOCUMENT IN WHOLE OR IN PART FOR ANY PURPOSE OTHER THAN ITS ORIGINALLY INTENDED PURPOSE, OR TO EVALUATE ITS CONTENTS.

	NAME AND SIGNATURE	DATE	COMPANY DEPARTMENT
PREPARED BY:	D. Kerr <i>D. Kerr</i>	4 Sept, 2014	AHCA ENGINEERING
PREPARED BY:			
CHECKED BY:	C. Timmins <i>C. Timmins</i>	4th Sept 2014	AHCA ENGINEERING
CHECKED BY:	M. Merritt <i>M. Merritt</i>	2014.09.04	AHCA QUALITY ASSURANCE
2 ACCEPTED (Civil A/W Authority)	(As per ICA Compliance Check Sheet) <i>C. Timmins</i>	11th November 14	TCCA
2 RELEASED BY:	P. Sharpe <i>P. Sharpe</i>	NOV 11 2014	AHCA ENGINEERING
__ RELEASED BY:			AHCA ENGINEERING
__ RELEASED BY:			AHCA ENGINEERING
__ RELEASED BY:			AHCA ENGINEERING

RECORD OF REVISIONS

Rev.	Pages at this Revision	Description, Reason Changed Pages	Prepared (name and date)	Checked (name and date)	App'd/Acc'd (Civil A/W Authority) (name and date)	Released (name and date)
0	1 through 10 A1 B1	New issue.	D. Kerr 19 Jan., 2012	C. Timmins 19 Jan., 2012	N/A	P. Garofalo 9 March 2012
1	1 through 10 A1 B1	Addition of 150 flight hour inspection for AS 350 B2/B3. (Pages 3 and 8)	D. Kerr 21 March 2012	C. Timmins 21 March 2012	TCCA K. Chan 5 April 2012	R. Manson 11 April 2012
2	1 through 11 A1 B1	Addition of company logo, name change and template change. Addition of AS 355 aircraft type to document. Airworthiness limitations and Section 8 revised. (Pages 3, 4, 6 to 10)	See page 1.	See page 1.	See page 1.	See page 1.

NOTE: Revisions to this document will be distributed to operators of this equipment by the STC holder.

NOTE: Revised portions of affected pages are identified by a vertical black line in the margin adjacent to the change.

NOTE: Minor changes are released in accordance with TCCA - ACCEPTED CAR 521.154 procedures (ref. DAPM-E-0001).

Transport Canada - Accepted

CONTENTS

SECTION	TITLE	PAGE
1	GENERAL	4
2	AIRWORTHINESS LIMITATIONS	7
3	CONTROL AND OPERATION	8
4	INSPECTION SCHEDULE AND MAINTENANCE ACTION	8
5	REPLACEMENT COMPONENTS AND REPAIR / OVERHAUL INFORMATION	8
6	TROUBLESHOOTING	8
7	SPECIAL TOOLING	8
8	REMOVAL AND REPLACEMENT	9
9	WEIGHT AND BALANCE DATA	11
10	PLACARDS AND MARKINGS	11
Appendix A	Interior Modification drawing (1 page)	
Appendix B	Non-Textile Flooring cleaning information (1 page)	

FIGURES

FIGURE	TITLE	PAGE
1	General Layout	4
2	Standard Interior Modifications, Floor Covering Details	5

TABLES

TABLE	TITLE	PAGE
1	Inspection Schedule and Maintenance Action Every 150 FH or 12 M (Margins: 15 FH or 36 D)	8

Transport Canada - Accepted

AIRBUS HELICOPTERS CANADA LIMITED

1. GENERAL

- A. The subject Standard Interior Modification for the Floor Covering is defined by AHCA drawing number 350-701814 and consists of:

Description	Part Number	Appendix Number
Floor Mat	see drawing number 350-701814	Appendix A, B

The floor mat manufactured from PVC is secured to the cabin floor using double-sided tape. Kick plates are installed around the edges of the floor mat and secured using screws.

Refer to Figure 1 for General Layout.

- B. These Instructions for Continued Airworthiness are applicable to aircraft with the subject modification embodied.

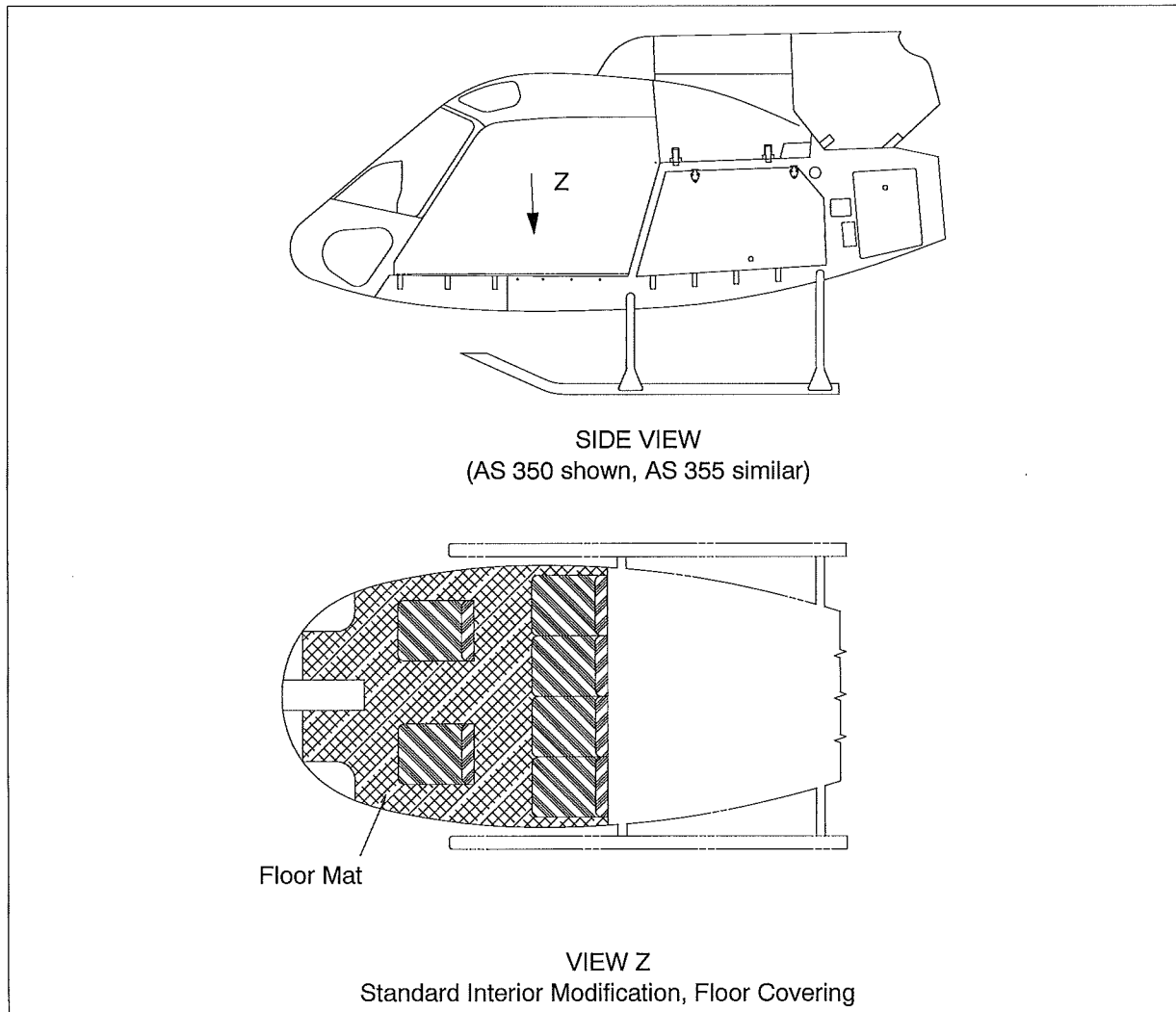


Figure 1 General Layout

Transport Canada - Accepted

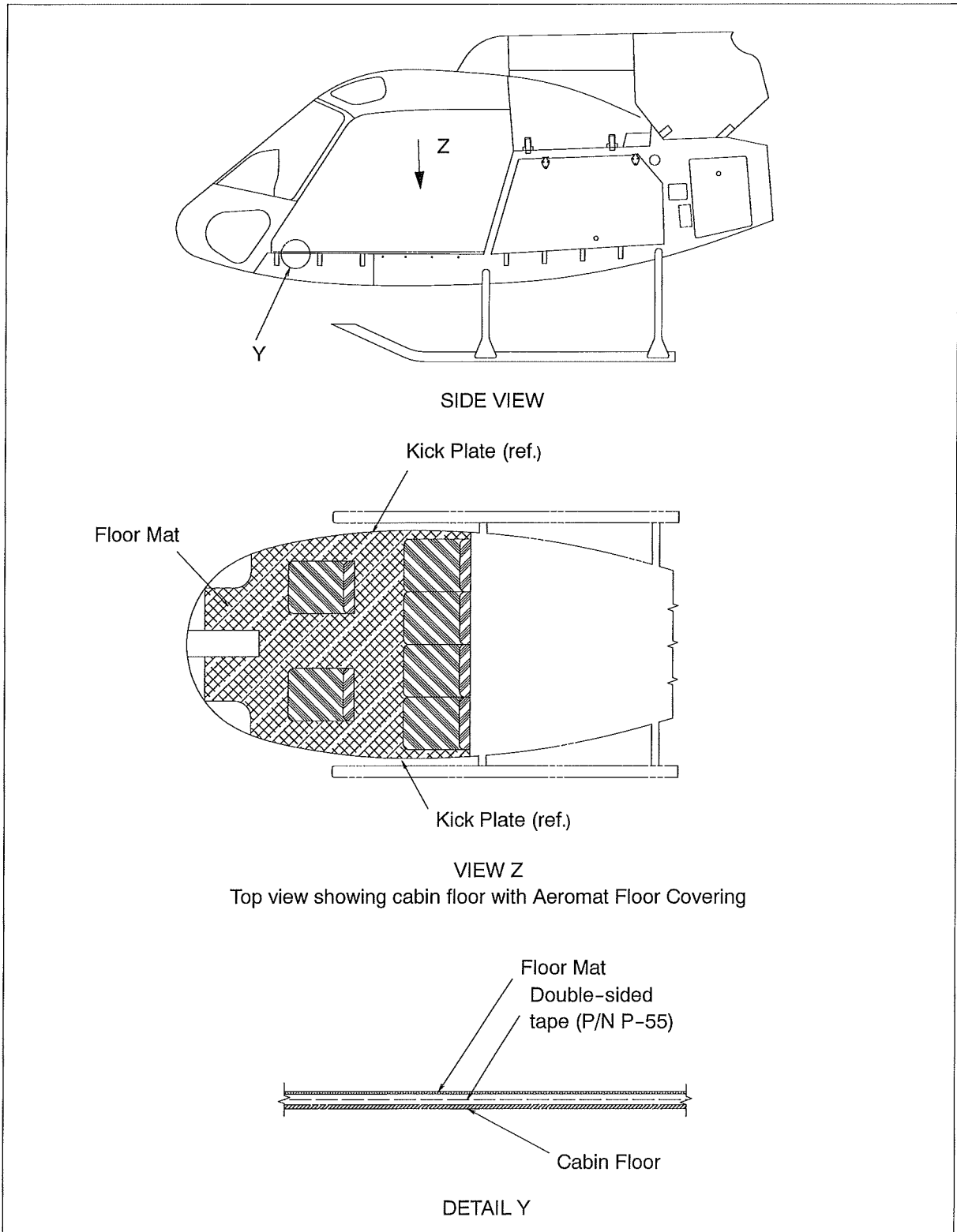


Figure 2 Standard Interior Modifications, Floor Covering Details

Transport Canada - Accepted

AIRBUS HELICOPTERS CANADA LIMITED
C. REFERENCES

DOCUMENT	DOCUMENT TITLE
AMM (AS 350 B2/B3)	Aircraft Maintenance Manual
MET (AS 350 D, B, BA, B1 & AS 355)	Maintenance Manual
MTC (all aircraft)	Standard Practices Manual

D. ABBREVIATIONS & DEFINITIONS

ABBREVIATION	DEFINITION
AHCA	Airbus Helicopters Canada Limited
AH	Airbus Helicopters
Acc'd	Accepted
App'd	Approved
CAR	Canadian Aviation Regulations
D	Days
DAPM	Design Approval Procedures Manual
FAA	Federal Aviation Administration
FH	Flight Hours
hrs.	hours
M	Months
P/N	Part Number
PVC	Polyvinyl Chloride
ref.	reference
STC	Supplemental Type Certificate
TCCA	Transport Canada Civil Aviation

E. UNITS OF MEASUREMENT

ABBREVIATION / SYMBOL	UNIT OF MEASUREMENT
kg	kilogram
lb	pound
m	meter
mm	millimeters
in	inch

Transport Canada - Accepted



AIRBUS HELICOPTERS CANADA LIMITED

**INSTRUCTIONS FOR CONTINUED
AIRWORTHINESS
STANDARD INTERIOR MODIFICATION
FLOOR COVERING
AS 350 / AS 355**

2. AIRWORTHINESS LIMITATIONS

The Airworthiness Limitations section is approved by the Minister and specifies maintenance required by any applicable airworthiness or operating rule unless an alternative program has been approved by the Minister. Variations must also be approved.

The Airworthiness Limitations section is FAA approved and specifies inspections and other maintenance required under Sections 43.16 and 91.403 of the Federal Aviation Regulations unless an alternative program has been FAA approved.

The Airworthiness Limitations section is approved and variations must also be approved.

No airworthiness limitations associated with this installation.

Transport Canada - Approved

3. CONTROL AND OPERATION

Control and operation of the aircraft remains unchanged.

4. INSPECTION SCHEDULE AND MAINTENANCE ACTION

NOTE: Use torque per MTC, Chapter 20.02.05.404, unless otherwise specified.

4.1. INSPECTION SCHEDULE

4.1.1. Every 150 FH or 12 M (Margins: 15 FH or 36 D) to coincide with the 150 FH or 12 M helicopter inspection, whichever occurs first:

ITEM	INSPECTION OR MAINTENANCE WORK	CORRECTIVE ACTION
A	- Check floor mat, shown in Figure 2, for: a. cleanliness b. tearing c. security (floor mat pulling away from floor)	a. For cleaning instructions, refer to Appendix B. b. Replace floor mat if required. Check that floor structure is not exposed. If so, contact AHCA. Inspect floor for structural damage/surface finish damage. c. Secure as required.

Table 1 Inspection Schedule and Maintenance Action
 Every 150 FH or 12 M to coincide with the 150 FH or 12 M helicopter inspection, whichever occurs first

5. REPLACEMENT COMPONENTS AND REPAIR / OVERHAUL INFORMATION

Contact AHCA for replacement component parts. No overhaul information required for this installation.

For replacement components contact:

Airbus Helicopters Canada Limited
 1100 Gilmore Road, P.O. Box 250
 Fort Erie, Ontario L2A 5M9 Canada
 Telephone: (905) 871-7772
 Telefax: (905) 871-3599

www.airbushelicopters.ca

6. TROUBLESHOOTING

There are no unique characteristics which require troubleshooting techniques.

7. SPECIAL TOOLING

No special test equipment or tools are required. Standard tools are adequate.

8. REMOVAL AND REPLACEMENT

Proceed as follows if any of these items need to be removed.

PRELIMINARIES

A. For aircraft AS 350 (excluding AS 350 B2/B3):

Read and comply with Electrical Power General Instructions, AS 350 MET, Chapter 24.00.00.301.

- Disconnect the external power unit and battery in accordance with AS 350 MET, Chapter 24.30.00.401.
- Remove energy absorbing front seats, refer to Removal, AS 350 MET, Chapter 25.10.12.401.

B. For aircraft AS 350 B2/B3:

- Read and comply with General Safety Instructions – Electrical Power Supply System, AS 350 B2/B3 AMM, Chapter 24-00-00, 3-1.
- Read and comply with Electrical Power Supply on the Ground PRE MOD 07 4280, AS 350 B2/B3 AMM, Chapter 24-00-00, 2-1A.
- Read and comply with Electrical Power Supply on the Ground POST MOD 07 4280, AS 350 B2/B3 AMM, Chapter 24-00-00, 2-1B.
- Disconnect the external power unit and battery, AS 350 B2/B3 AMM, Chapter 24-00-00, 2-1A or B depending on MOD.
- Remove energy absorbing front seats, refer to Removal, AS 350 B2/B3 AMM, Chapter 25-21-00.4-1.

C. For aircraft AS 355:

- Read and comply with Electrical Power Generating System, AS 355 MET, Chapter 24.00.00.301.
- Disconnect the external power unit and battery in accordance with AS 355 Chapter 24.00.00.301.
- Remove energy absorbing seats, refer to Removal, AS 355 Chapter 25.10.12.401.

AIRBUS HELICOPTERS CANADA LIMITED

8. REMOVAL AND REPLACEMENT

A. REMOVAL

1) FLOOR MAT (Refer to Figure 2)

- a) Remove the screws securing the factory supplied kick plates to the cabin floor. Retain screws and kick plates for reinstallation.
- b) Carefully pull floor mat away from the cabin floor and remove from the aircraft.

B. REPLACEMENT

NOTE: Use torque per MTC, Chapter 20.02.05.404, unless otherwise specified.

1) FLOOR MAT (Refer to Figure 2)

- a) Reposition the floor mat in aircraft and secure using double sided tape.
- b) Reinstall kick plates and secure using screws retained from removal.

2) Close all area opened for service in the PRELIMINARIES paragraph of this section.

For aircraft AS 350 (excluding AS 350 B2/B3):

- a) Reinstall energy absorbing seats. Refer to Installation, AS 350 MET, Chapter 25.10.12.401.
- b) Read and comply with Electrical Power General Instructions, AS 350 MET, Chapter 24.00.00.301.
- c) Apply external power unit and battery. Refer to AS 350 MET, Chapter 24.00.00.301.
- d) Perform functional test in accordance with AS 350 MET, Chapter 24.30.00.501.
- e) Perform operational check of all systems that were serviced in accordance with the AS 350 MET procedures and the system's installation/operation manual.

For aircraft AS 350 B2/B3:

- a) Reinstall energy absorbing seats. Refer to AS 350 B2/B3 AMM, Chapter 25.21.00.4-1.
- b) Read and comply with General Safety Instructions - Electrical Power Supply System, AS 350 B2/B3 AMM, Chapter 24-00-00, 3-1.
- c) Reconnect the external power unit and battery. Refer to AS 350 B2/B3 AMM, Chapter 24-00-00, 2-1A or B depending on MOD.
- d) Perform functional test - DC Power Supply System in accordance with AS 350 B2/B3, AMM, Chapter 24-30-00-5-1.
- e) Perform operational check of all systems that were serviced in accordance with the AS 350 MET procedures and the system's installation/operation manual.

For aircraft AS 355:

- a) Reinstall energy absorbing seats. Refer to AS 355 MET, Chapter 25.10.12.401.
- b) Read and comply with Electrical Power Generating System, AS 355 MET, Chapter 24.00.00.301.
- c) Apply external power unit and battery in accordance with AS 355 MET Chapter 24.00.00.301.
- d) Perform functional test in accordance with AS 355 MET, Chapter 24.30.00.501.
- e) Perform operational check of all systems that were serviced in accordance with the AS 355 MET procedures and the system's installation/operation manual.

AIRBUS HELICOPTERS CANADA LIMITED
9. WEIGHT AND BALANCE DATA

A. Removed Items

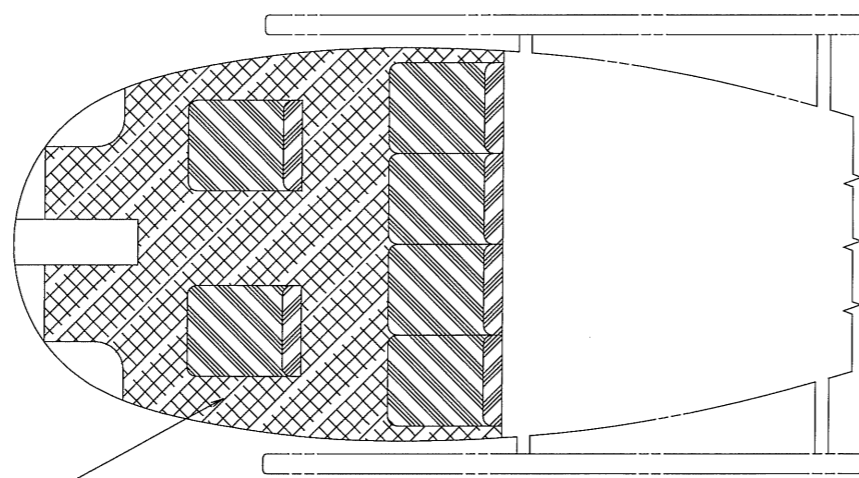
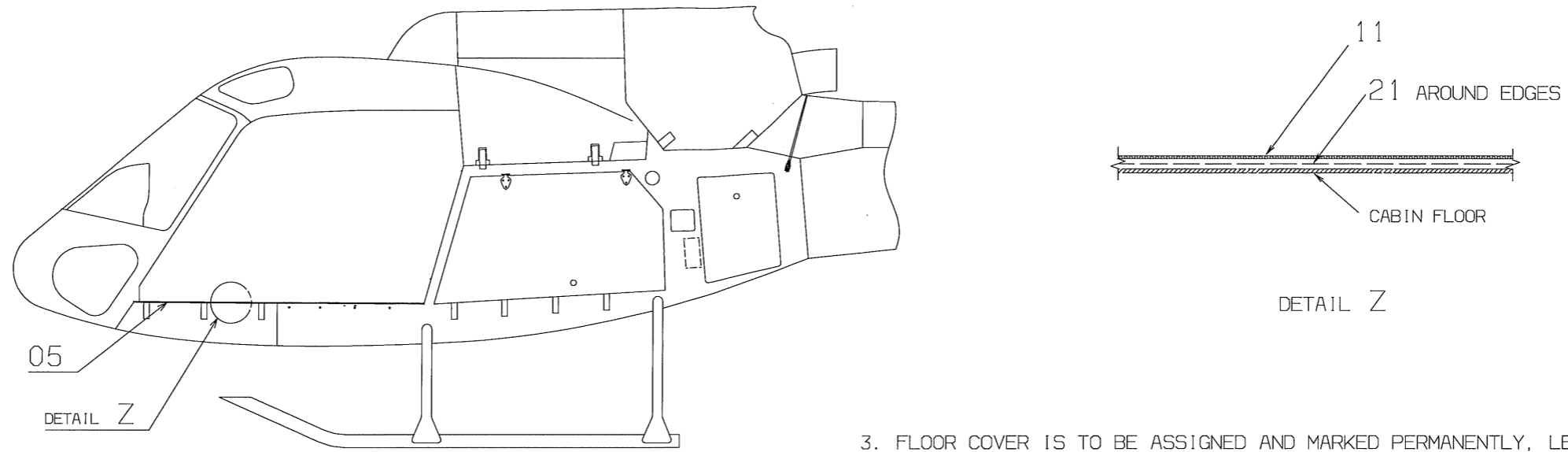
DESCRIPTION	WEIGHT		ARM		MOMENT	
	kg	lbs	m	in	kg m	lb in
(not applicable)	0.00	0.0	0.00	0.0	0.00	0.0
Total	0.00	0.0	0.00	0.0	0.00	0.0

B. Added Items (if operating with floor mats)

DESCRIPTION	WEIGHT		ARM		MOMENT	
	kg	lbs	m	in	kg m	lb in
Floor Mat	11.32	25.0	1.41	55.5	15.96	1387.5
Total	11.32	25.0	1.41	55.5	15.99	1387.5

10.. PLACARDS AND MARKINGS

There are no Placards and markings with this installation.



CABIN FLOOR VIEW

3. FLOOR COVER IS TO BE ASSIGNED AND MARKED PERMANENTLY, LEGIBLY WITH PART NUMBER AND COLOR CODE:

350-701814 - XX
 ↑ ↑
 PART NUMBER COLOR CODE

PART NUMBER	PATTERN/TYPE	COLOR	COLOR CODE
S00992-012-00	AERMAT	GREY	01
S08451-001-00	AERMAT	BLUE	02
S01000-048-00	AERMAT	BLACK	03

- 2. INSTALL FLOOR MAT TO CABIN FLOOR WITH TAPE, ITEM 121.
 - 1. FLOOR MAT COLOUR SELECTION TO BE SPECIFIED ON APPLICABLE WORK ORDER.
- NOTES.

QTY	ITEM NO.	PART NUMBER	REV	DESCRIPTION	IDENT.	MATERIAL	H. T.	SPECIFICATION	SIZE	SUPPL.
	AR 21	P-55		TAPE, DOUBLE SIDED					51MM W, 0.3MM THICK	E.B. PEERLESS
	OR 11	S01000-048-00		AERMAT, BLACK		PVC/FIBERGLASS			2.5MM THICK	SCHNELLER
	OR 11	S08451-001-00		AERMAT, BLUE		PVC/FIBERGLASS			2.5MM THICK	SCHNELLER
	AR 11	S00992-012-00		AERMAT, GREY		PVC/FIBERGLASS			2.5MM THICK	SCHNELLER
	1 05	350-701904.05		IDENT LABEL						
		350-701814		STD INTERIOR MOD, FLOOR COVERING						L0673

DRAWING INCOMPLETE WITHOUT FOLLOWING ECL'S		SURFACE PROTECTION		SURFACE FINISH		SCALE		11		DATE		NAME		TITLE		SAFETY CLASS	
						NTS				24 OCT		YPZ		FLOOR COVERING		3	
										24 OCT		HPB		STD INTERIOR MOD.			
										28 OCT		CH		DRAWING NUMBER		SHEET	
														350-701814		1	
AS350/355 NEXT ASSEMBLY		STANDARD LIMITS		TOLERANCE IN MM		FIRST ANGLE PROJECTION		THIS IS A CATIA DRAWING NO MANUAL CHANGES ALL DIMENSIONS IN MM UNLESS OTHERWISE NOTED		REV. / 01		02 NOV 11		YPZ		PG	
										REL'D 02 NOV		PG		REPL. FOR		REPL. BY	



Non-Textile Flooring Cleaning Procedure

Technical Bulletin
October 2001

Tools & Materials Required

- Rag
- Soft Bristle Brush
- Water
- General All-Purpose Cleaner

Testing

Schneller Non-Textile Flooring was thoroughly tested with different staining agents such as butter, coffee, ketchup, mustard, chocolate, milk, orange juice and tomato juice. Schneller Non-Textile Flooring was cleaned using the commercially available 409 All-Purpose Household cleaner. All the stain agents were completely removed by using a rag and soft bristle brush. From this testing there was no damage, discoloration, or stain remaining on the samples. All test samples were kept by Schneller, Inc.

Procedure

- Schneller Non-Textile Flooring was developed with a stain resistant vinyl top material. Cleaning can often be done by simply using a standard mop and water.
- Schneller Non-Textile Flooring can be easily cleaned with the use of some type of general all-purpose cleaning agent.
- For more difficult stains, a mild detergent/all purpose cleaner can be used in conjunction with a wet rag or mop.
- To clean dirt, food, etc. that has become trapped in the crevices of textures, a soft bristle brush should be used. The bristle action will tend to loosen the soiled contaminants to allow them to be cleaned away.
- It is important NOT to use any type of solvent based cleaning agents on the Schneller Non-Textile Flooring. These will tend to adversely affect the top vinyl layer.
- Schneller recommends that cleaning agents be tested prior to use on the Schneller Non-Textile Flooring product.

Data and information provided free of charge by Schneller, Inc. for corporate and/or educational informational purposes only. The information provided is believed to be accurate, but Schneller and its suppliers do not warrant or guarantee such accuracy. Schneller expressly assumes no responsibility for the accuracy or usefulness of information provided by any third party data or content provider. Schneller shall have no obligation to update or otherwise supplement or correct any data provided. Neither Schneller nor any of its data or content providers shall be liable for any errors or delays in the content, or for any actions taken in reliance thereon.

6019 Powdermill Road, Kent, Ohio 44240 USA • Phone: 330.673.6063 • Fax: 330.673.6374 • www.schneller.com
6 Rue Rougemont/2ET, 75009 Paris, France • Phone: 33.(0)1.53.34.90.80 • Fax: 33.(0)1.53.34.90.89

**Certified to
ISO 9001:2000
With Design**